

## Retrofit a rigid coupling

For some ILLIG RDM machines we can provide a retrofit of a rigid coupling to the pre-stretcher. This retrofit will upgrade your RDM machine to the current state of the art.

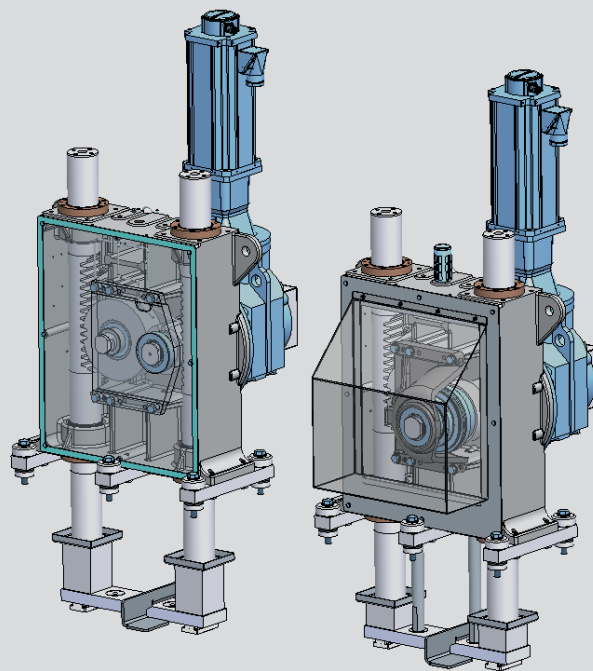
In this connection the current latching clutch is replaced by a rigid connection, whereby the wear and the downtime are minimized significantly. We recommend the conversion by an ILLIG technician.

### Your benefits

- | State of the art
- | Lesser wear
- | Avoidance of downtime and malfunction

### Available for machines

RDM 78K | RDM 75K with servo driven plug assist



old coupling

new coupling